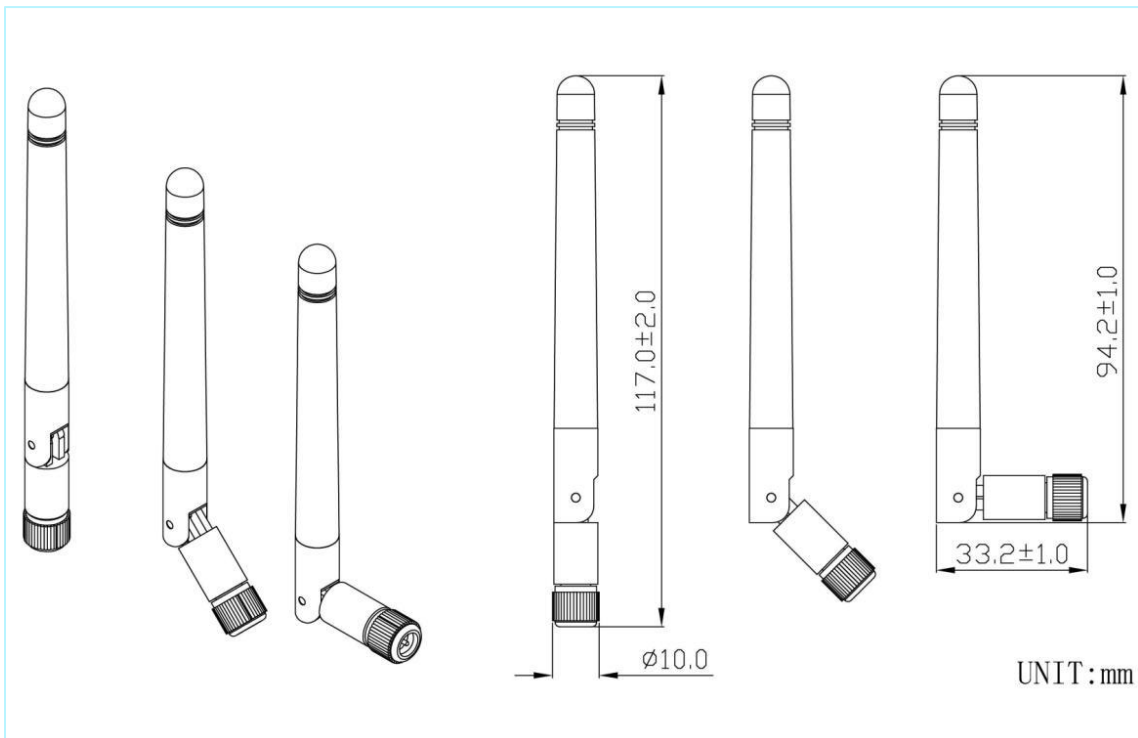


Low frequency 433MHz Antenna right angle low profile  
AN\_L\_402



**Mechanical dimension**



## Low frequency 433MHz Antenna right angle low profile

### AN\_L\_402



## Specifications

Item	Specifications	
Antenna	Frequency Range	433MHz
	Band Width	CF $\pm$ 5MHz
	Polarization	Linear
	Gain	2dBi(Zenith)
	V.S.W.R(min)	<2.5
	Impedance	50 $\Omega$
	Connector	SMA Male
Environmental	Operating Temperature	-40 $^{\circ}$ C~+85 $^{\circ}$ C
	Vibration	10 to 55Hz with 1.5mm amplitude 2hours
	Environmentally Friendly	ROHS Compliant

## Radiation Patterns

