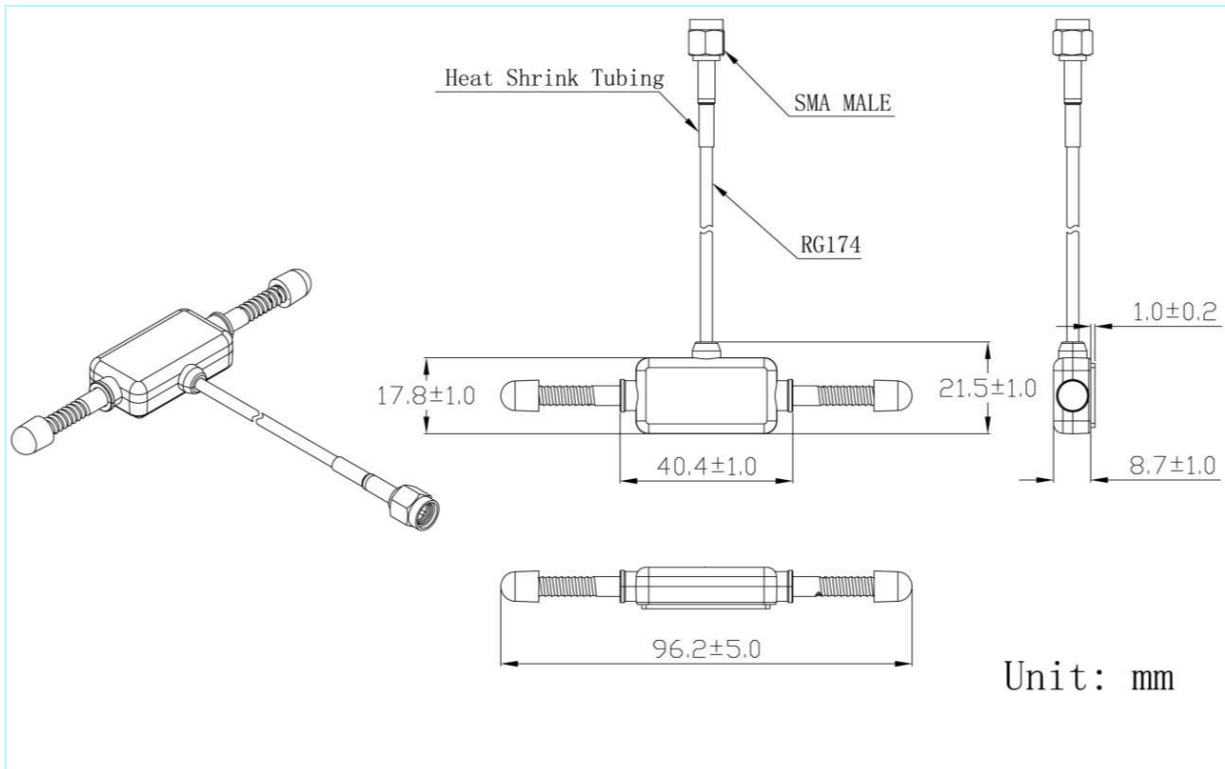


4G/3G/GSM antenna 900/1800/2100 MHz Rectangular Mini

AN_GSM_824



Mechanical dimension



4G/3G/GSM antenna 900/1800/2100 MHz Rectangular Mini

Specifications

Item	Specifications	
Antenna	Frequency Range	824~960/1710~2170MHz
	Polarization	Linear
	Gain	3dBi
	V.S.W.R	<2.0
	Impedance	50Ω
Mechanical	Cable	RG174
	Connector	SMA
	Radome Material	ABS
	Mounting Method	Adhesive
Environmental	Operating Temperature	-40℃~+85℃
	Relative Humidity	Up to 95%
	Vibration	10 to 55Hz with 1.5mm amplitude 2hours
	Environmentally Friendly	ROHS Compliant

4G/3G/GSM antenna 900/1800/2100 MHz

Rectangular Mini

Radiation Patterns

