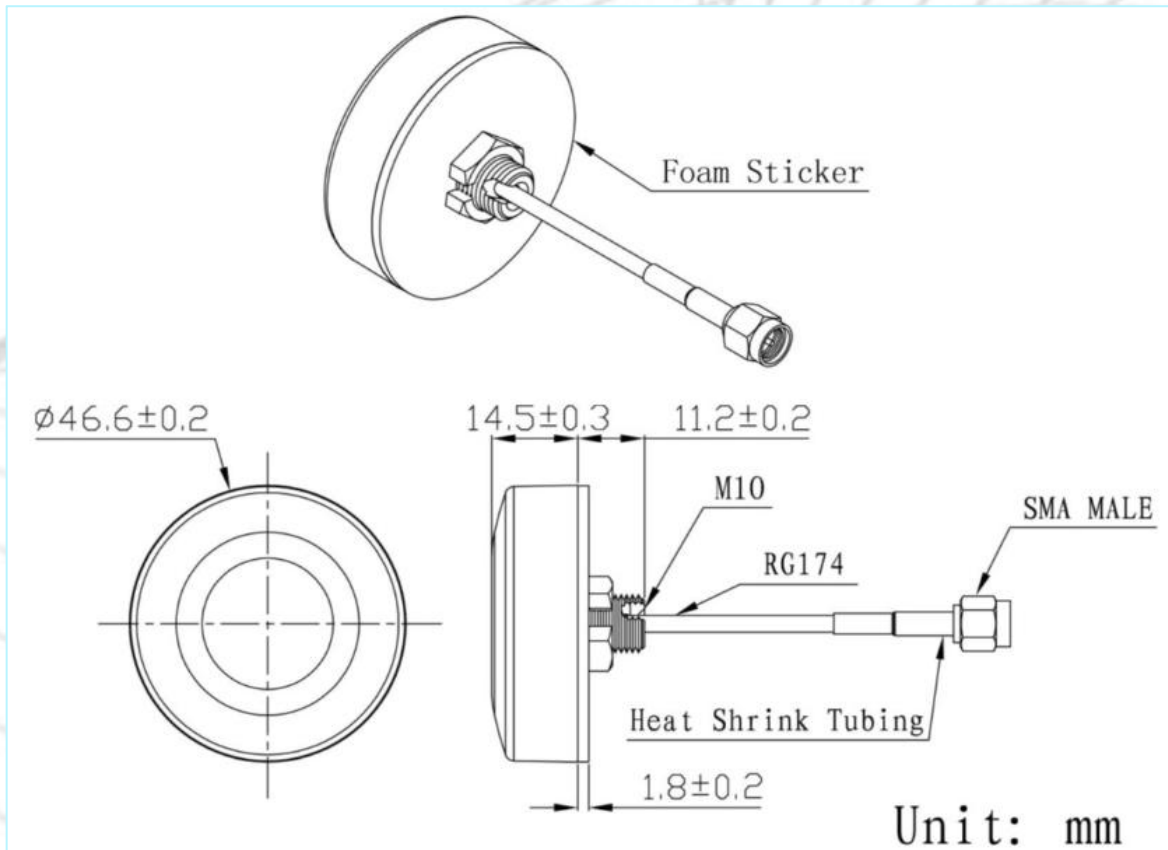


GPS Active antenna cylinder screw mount

AN_GPS_A003



Mechanical Dimension



GPS Active antenna

Specifications

| Item | Specifications | |
|---------------|--------------------------|--|
| Antenna | Center Frequency | 1575.42 ± 3MHz |
| | Band Width | CF ± 5MHz |
| | Polarization | RHCP |
| | Gain | 2dBic (Zenith) |
| | V.S.W.R | < 1.5 |
| | Impedance | 50Ω |
| | Axial Ratio | 3dB (max) |
| | Dimension | Φ46.6*14.5mm |
| LNA | Gain | 28 ± 2dB |
| | Noise Figure | < 1.5dB |
| | Filter Insertion Loss | < 3dB |
| | Ex-band Attenuation | 12dB@CF+50MHz/16dB@CF-50MHz |
| | Supply Voltage | 2.2~5V DC |
| | Current Consumption | < 15mA |
| | V.S.W.R | < 2.0 |
| Mechanical | Cable | RG174 |
| | Connector | FAKRA |
| | Radome Material | ABS |
| | Mounting Method | Screw |
| Environmental | Operating Temperature | -40°C ~ +85°C |
| | Relative Humidity | Up to 95% |
| | Ingress Protection | IP65~IP67 (exclude cable outlet) |
| | Vibration | 10 to 55Hz with 1.5mm amplitude 2hours |
| | Environmentally Friendly | ROHS Compliant |

GPS Active antenna

Radiation Patterns

