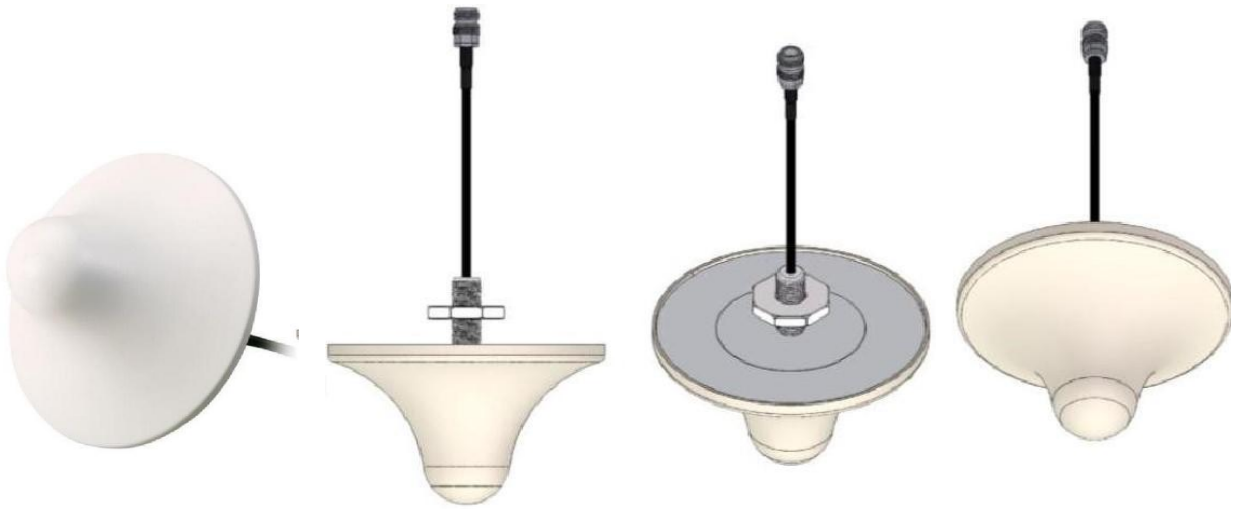
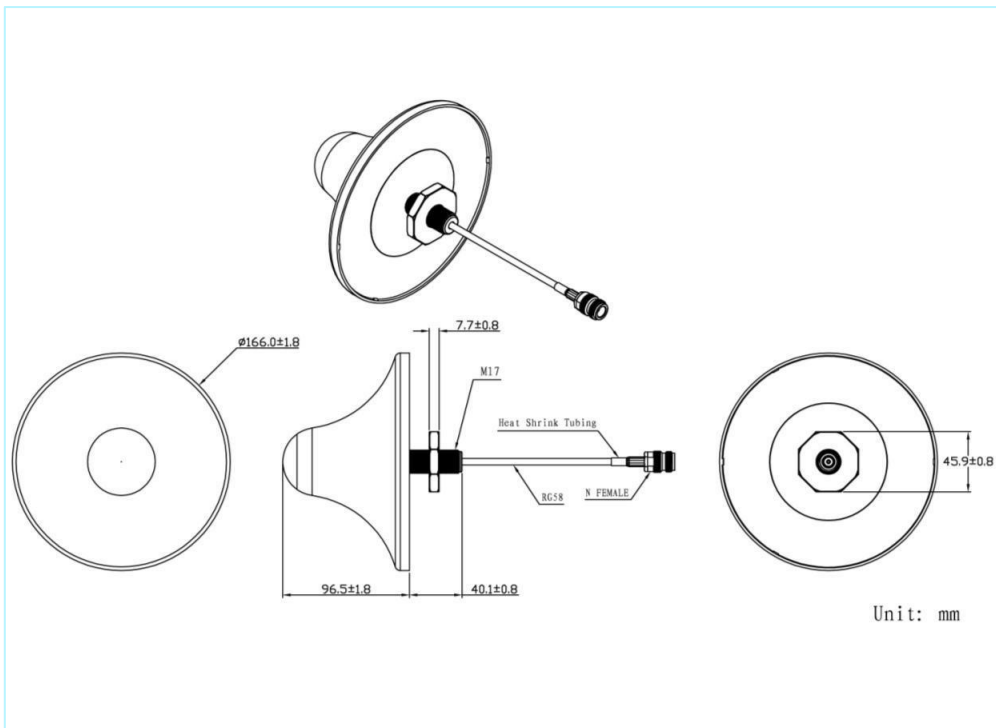


## WIFI&GSM Antenna

AN\_GSM\_915



### Mechanical dimension



## WIFI&GSM Antenna

### Specifications

Item	Specifications	
Antenna	Frequency Range	824~2500MHz
	Polarization	Linear
	Gain	3dBi
	V.S.W.R	<2.0
	Impedance	50Ω
Mechanical	Cable	RG58 4 meters
	Connector	SMA male
	Mounting Method	Screw
	Radome Material	ABS
Environmental	Operating Temperature	-40°C~+85°C
	Relative Humidity	Up to 95%
	Environmentally Friendly	ROHS Compliant

# WIFI&GSM Antenna

## Radiation Patterns

