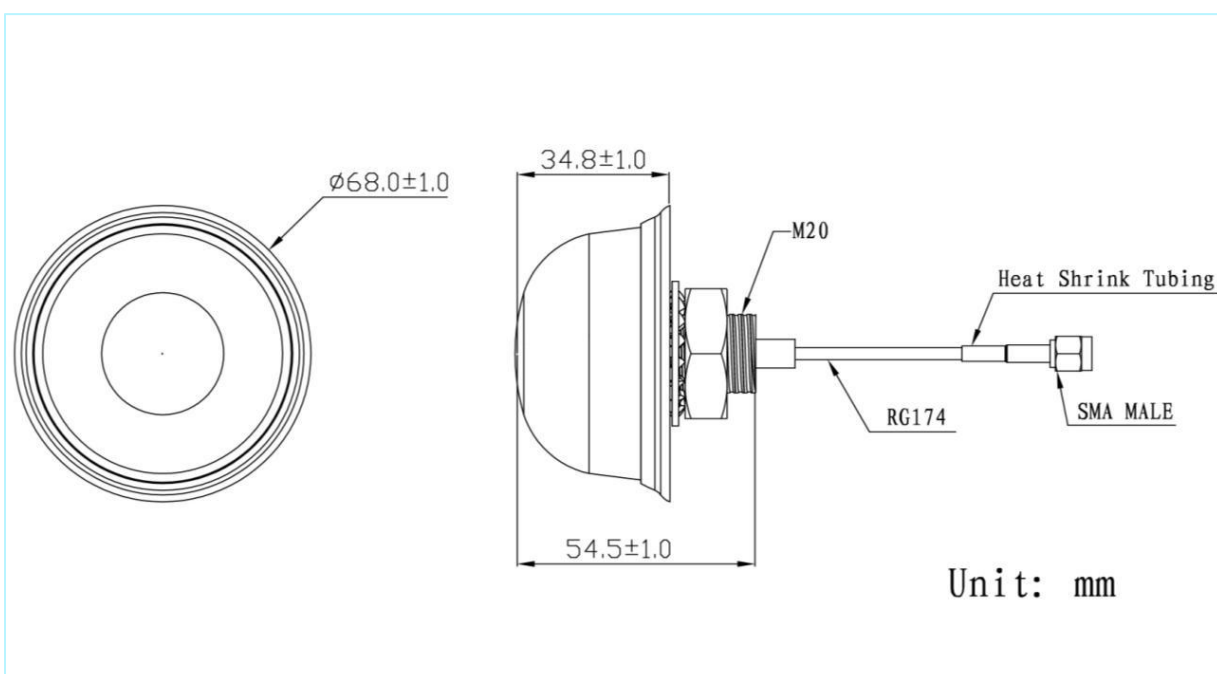


4G/3G/GSM antenna 900/1800/2100 MHz Cylinder Screw Mounting

AN_GSM_601



Mechanical dimension



Unit: mm

4G/3G/GSM antenna 900/1800/2100 MHz Cylinder Screw Mounting

Specifications

Item	Specifications	
Antenna	Frequency Range	824~960/1710~2170MHz
	Polarization	Linear
	Gain	2dBi (Zenith)
	V.S.W.R	<2.0
	Impedance	50Ω
Mechanical	Cable	RG174 or others
	Connector	SMA or others
	Radome Material	ABS
	Mounting Method	Screw
Environmental	Operating Temperature	-40℃~+85℃
	Relative Humidity	Up to 95%
	Ingress Protection	IP67(exclude cable outlet)
	Vibration	10 to 55Hz with 1.5mm amplitude 2hours
	Environmentally Friendly	ROHS Compliant

4G/3G/GSM antenna 900/1800/2100 MHz Cylinder Screw Mounting

Radiation Patterns

