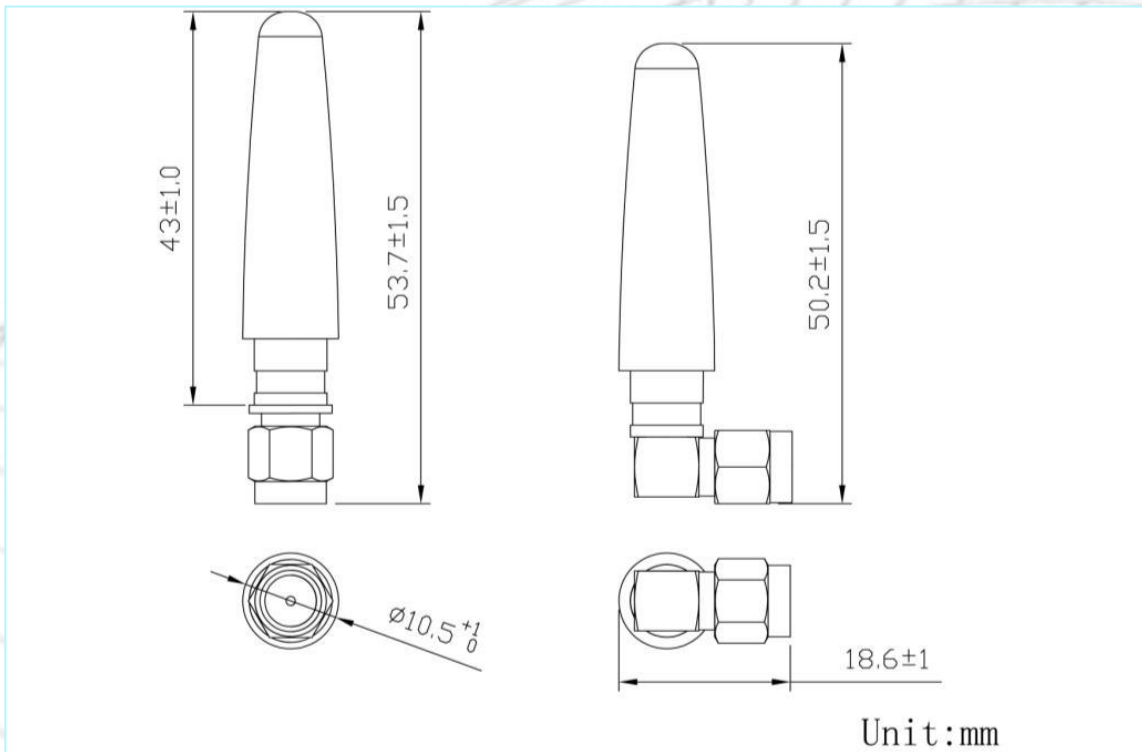


## WiFi Antenna Mini Profile AN\_W401



### Mechanical dimension



## WIFI Antenna

### Specifications

Item	Specifications	
Antenna	Frequency Range	2400~2483.5MHz
	Band Width	83.5MHz
	Polarization	Linear
	Gain	2.0dBi
	V.S.W.R	<2.0
	Impedance	50Ω
	Connector	RP-SMA Male or others
Environmental	Operating Temperature	-40°C~+85°C
	Vibration	10 to 55Hz with 1.5mm amplitude 2hours
	Environmentally Friendly	ROHS Compliant

### Radiation Patterns

