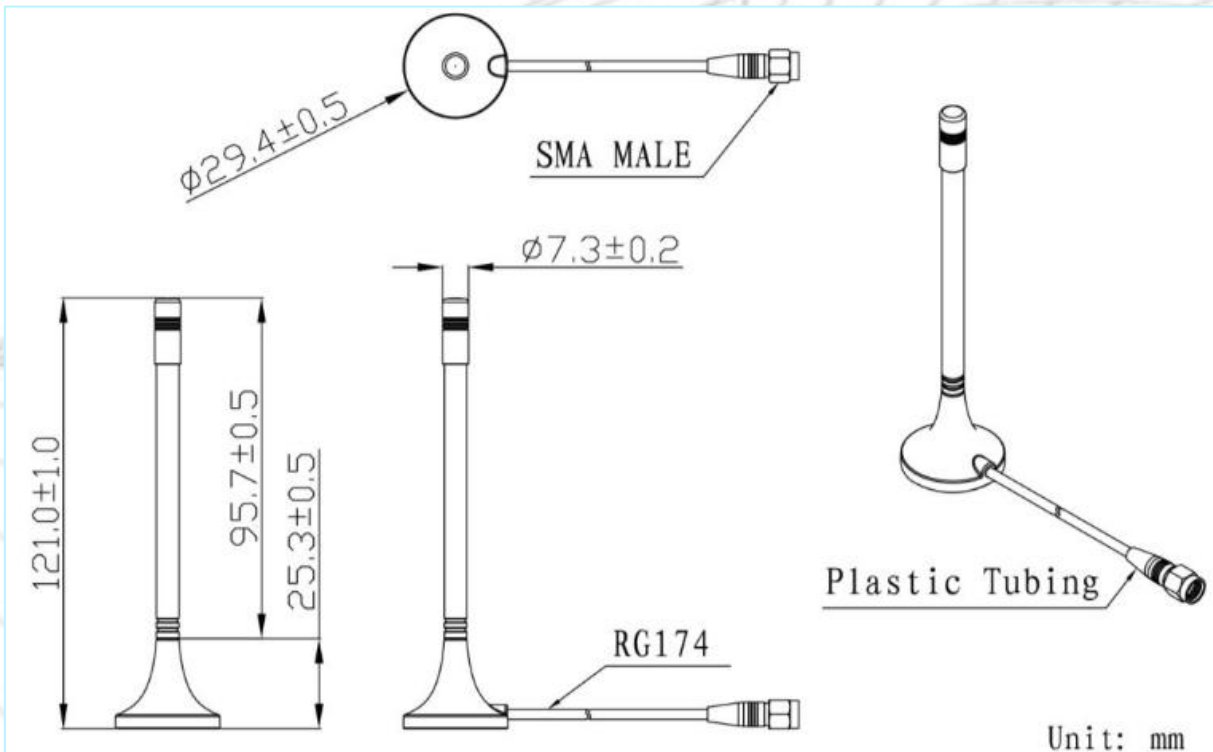


WIFI Antenna bottom magnetical

AN_W069



Mechanical dimension



WIFI Antenna

Specifications

Item	Specifications	
Antenna	Frequency Range	2400~2483.5MHz
	Polarization	Linear
	Gain (Zenith)	2.0dBi
	V.S.W.R(min)	<2.0
	Impedance	50Ω
Mechanical	Cable	RG174
	Connector	SMA or others
	Mounting Method	Magnet
Environmental	Operating Temperature	-40°C~+85°C
	Vibration	10 to 55Hz with 1.5mm amplitude 2hours
	Environmentally Friendly	ROHS Compliant

Radiation Patterns

