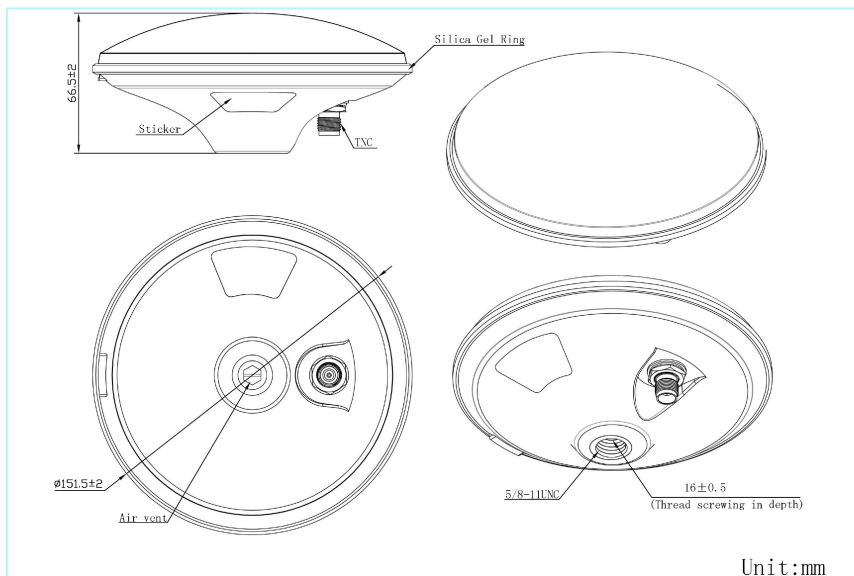


# GNSS Surveying Antenna (GPS/GLONASS/Galileo/COMPASS) AN\_GPS\_P228F



## Mechanical dimension





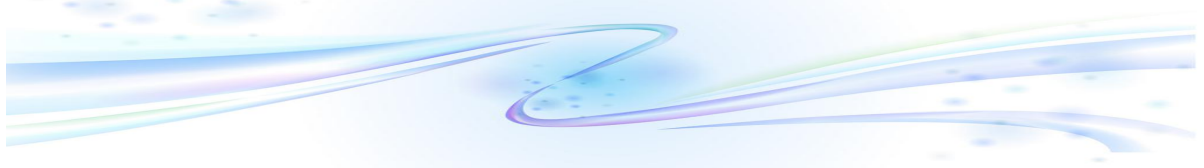
**MASWELL**  
— 迈斯维 —

## GNSS Surveying Antenna

### Specifications

Item		Specifications
Antenna	Frequency	GPS L1/L2/L5/L-Band GLONASS G1/G2/G3 COMPASS B1/B2/B3 Galileo E1/L1/E2/E5a/E5b/E6
	Polarization	RHCP
	Axial Ratio	$\leq 3\text{dB}$
	V.S.W.R	$\leq 1.5$
	Peak Gain	$\geq 5.5\text{dBi}$
	Impedance	$50\Omega$
	Phase Center Error	$\pm 2\text{mm}$
	Horizontal coverage angle	$360^\circ$
LNA	Gain	$40 \pm 2\text{dB}$
	Noise Figure	$\leq 1.5\text{dB}$
	Passband fluctuation	$\pm 1\text{dB}$
	Supply Voltage	3~12V DC
	Current Consumption	$\leq 50\text{mA}$
	V.S.W.R	$\leq 2.0$
Mechanical	Connector	TNC-K
	Dimension	D151.5*66.5mm
	Radome Material	ABS
	Mounting Method	Screw
Environmental	Operating Temperature	$-40^\circ\text{C} \sim +85^\circ\text{C}$
	Relative Humidity	Up to 95%
	Ingress Protection	IP67(exclude Air vent in screw hole)
	Environmentally Friendly	ROHS Compliant

## GNSS Surveying Antenna (GPS/GLONASS/Galileo/COMPASS)



### Antenna Reference Point & Phase Center

