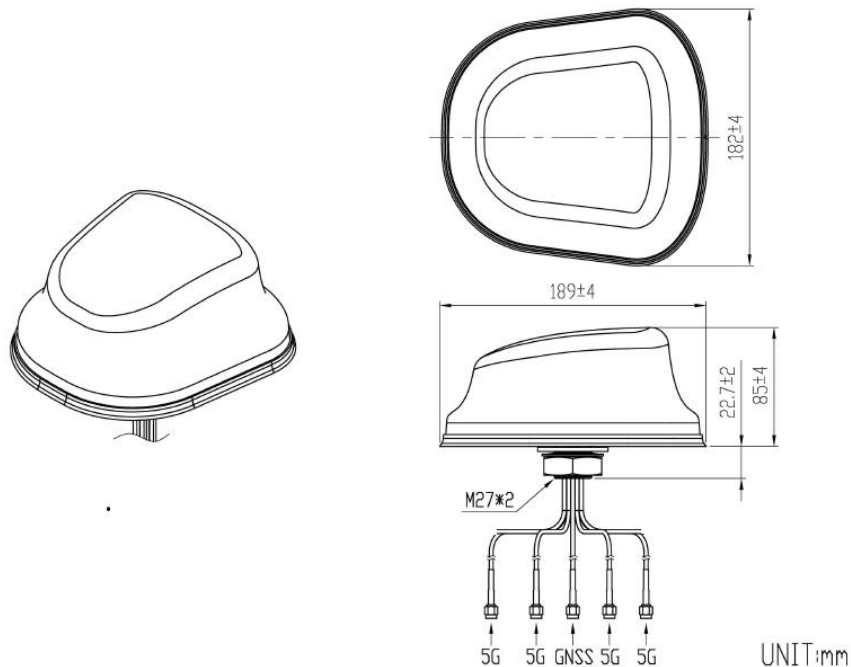


Maswell Seven in One 5G, WiFi, GNSS High-precision Combination Antenna

AN.4MIMO.700.3800.4C.2W.1GNSS



Mechanical dimension



Maswell Seven in One 5G, WiFi, GNSS High-precision Combination Antenna

AN.4MIMO.700.3800.4C.2W.1GNSS

Specifications

Item	Specifications	
Antenna 1: 5G	Frequency Range	700-3800MHz
	Polarization	Linear
	Gain	4dBi (typically)
	V.S.W.R	<3
	Efficiency	>50%
Antenna 2: 5G	Frequency Range	700-3800MHz
	Polarization	Linear
	Gain	4dBi (typically)
	V.S.W.R	<3
	Efficiency	>50%
Antenna 3: 5G	Frequency Range	700-3800MHz
	Polarization	Linear
	Gain	4dBi (typically)
	V.S.W.R	<3
	Efficiency	>50%
Antenna 4: 5G	Frequency Range	700-3800MHz
	Polarization	Linear
	Gain	4dBi (typically)
	V.S.W.R	<3
	Efficiency	>50%

Maswell Seven in One 5G, WiFi, GNSS High-precision Combination Antenna

AN.4MIMO.700.3800.4C.2W.1GNSS

Specifications

Item	Specifications	
Antenna 5: GNSS	Frequency Range	GPS L1 / L2 / L5 GLNASS G1/G2/G3 COMPASS B1 / B2 / B3 Galileo E1 / L1 / E2 / E5a / E5b / E6
	Polarization	RHCP
	Axial Ratio	<3dB
	V.S.W.R	≤1.5
	Peak Gain	≥5.5dBi
	Impedance	50Ω
	Phase Center Offset	±2mm
	Horizontal Orientation	360°
Antenna 6and Antenna 7: WiFi	Frequency Range	2400~2483.5MHz/4900~5925 MHz
	V.S.W.R	<2.5
	Polarization	Linear
	Gain	4dBi (typically)
	Impedance	50Ω
Mechanical	Dimension	190mm *183mm*22.7mm
	Connector Type	SMA or others
	Radome	PC540+UV234 fire retardant UV stabilized
	Cable	ASLR 200 fire retardant (around 30cm)
Environmental	Operating Temperature	-40°C~+85°C
	Relative Humidity	Up to 95%
	Vibration	10 to 55Hz with 1.5mm amplitude 2hours
	Ingress Protection	IP67(exclude cable outlet)
	Environmentally Friendly	ROHS Compliant