

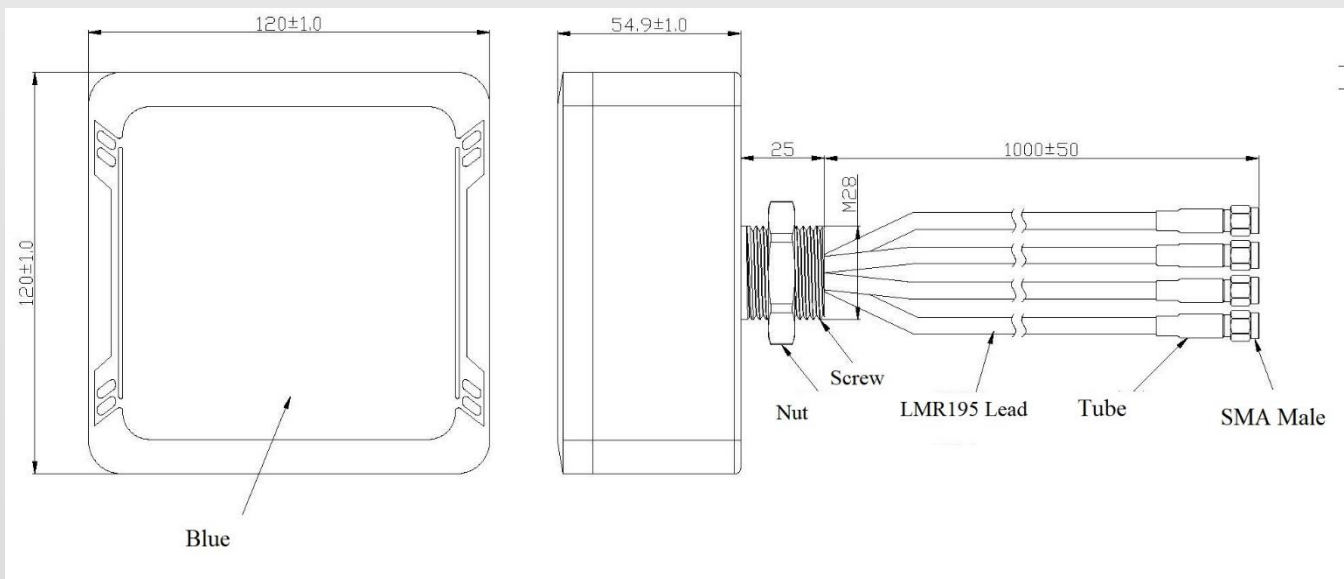


Maswell 4X4 5G MIMO Antenna Screw and Adhesive Mount 700-6000MHz

AN.AG50.4Cell.6000.40



Schematic picture



Maswell 4X4 5G MIMO Antenna Screw and Adhesive Mount

AN.AG50.4Cell.6000.40

Specifications

Item	Specifications	
Antenna 1	Frequency Range	700MHz~6000MHz
	Polarization	Linear
	Gain	Up to 3.0 dBi
	V.S.W.R	average 3.0
	Efficiency	> 50%
Antenna 2	Frequency Range	700MHz~6000MHz
	Polarization	Linear
	Gain	Up to 3.0 dBi
	V.S.W.R	average 3.0
	Efficiency	> 50%
Antenna 3	Frequency Range	700MHz~6000MHz
	Polarization	Linear
	Gain	Up to 3.0 dBi
	V.S.W.R	average 3.0
	Efficiency	> 50%
Antenna 4	Frequency Range	700MHz~6000MHz
	Polarization	Linear
	Gain	Up to 3.0 dBi
	V.S.W.R	average 3.0
	Efficiency	> 50%
Mechanical	Dimension	120mm *120mm*55mm
	Connector	SMA female
Environmental	Operating Temperature	-40°C~+85°C
	Relative Humidity	Up to 95%
	Vibration	10 to 55Hz with 1.5mm amplitude 2hours
	Environmentally Friendly	ROHS Compliant
	Ingress Protection	IP66