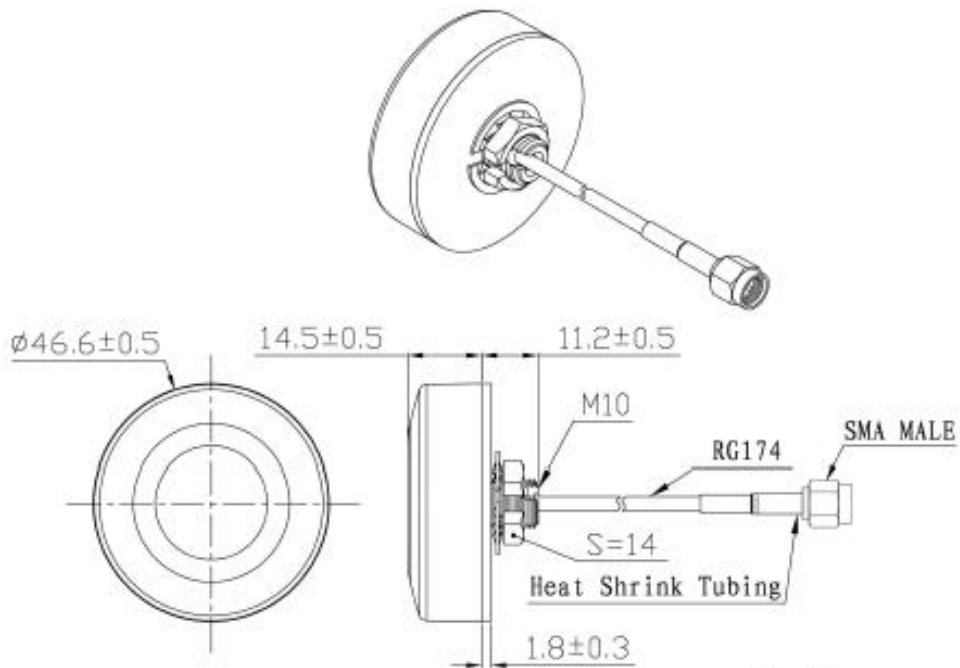


700/900/1800/2700 MHz Cellular Antenna Mushroom Shape for 4G
LTE 3G Screw Mount

AN_GSM_003L



Mechanical Dimension



Unit: mm

700/900/1800/2700 MHz Cellular Antenna Mushroom Shape for 4G LTE 3G Screw Mount

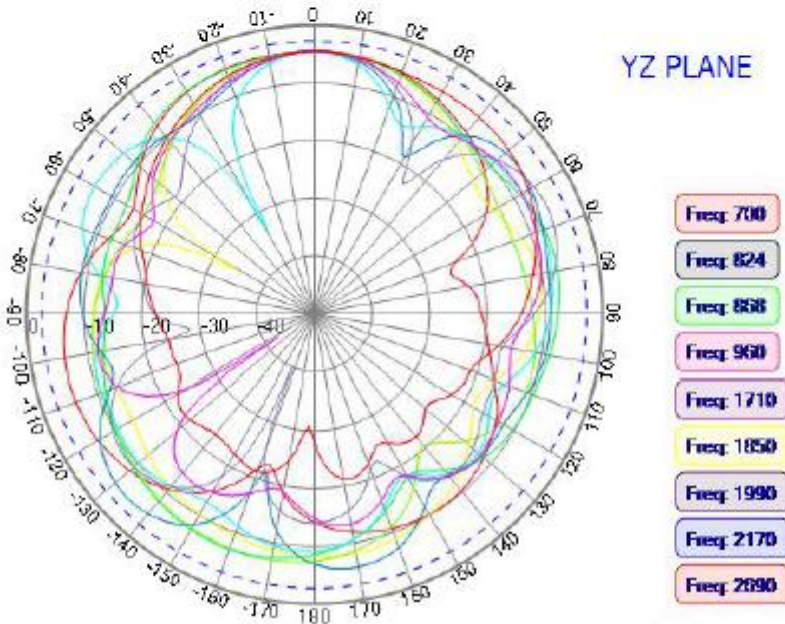
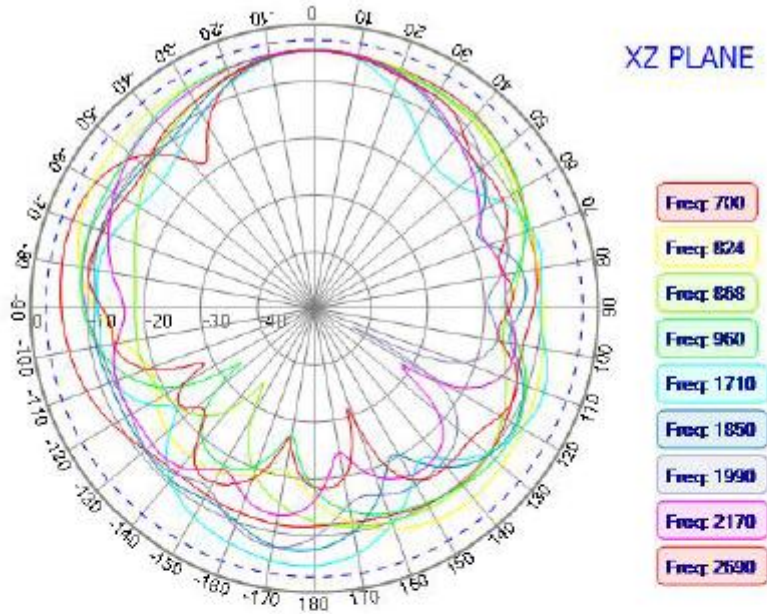
AN_GSM_003L

Specifications

Item	Specifications	
Antenna	Frequency Range	698~960/1710~2690MHz
	Polarization	Linear
	Gain	2.5dBi (Zenith)
	V.S.W.R	≤3.0
	Impedance	50Ω
Mechanical	Cable	RG58
	Connector	SMA
	Radome Material	ABS
	Mounting Method	Screw
Environmental	Operating Temperature	-40°C~+85°C
	Ingress Protection	IP65-IP67
	Relative Humidity	Up to 95%
	Vibration	10 to 55Hz with 1.5mm amplitude 2hours
	Environmentally Friendly	ROHS Compliant

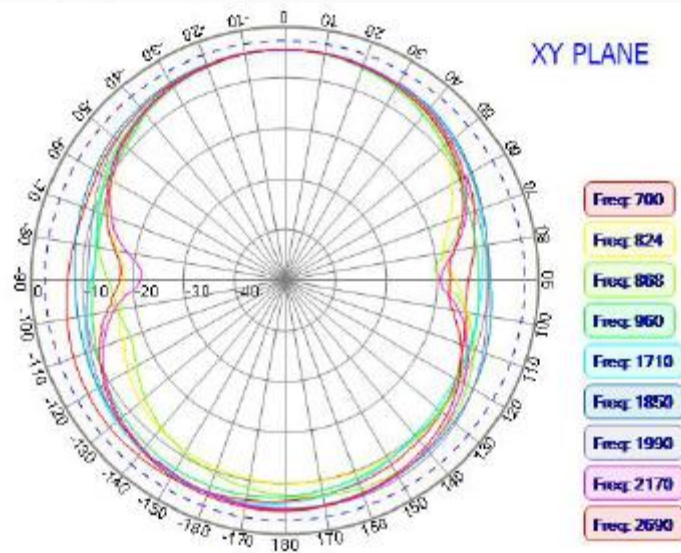
700/900/1800/2700 MHz Cellular Antenna Mushroom Shape for 4G
LTE 3G Screw Mount

Radiation Patterns



700/900/1800/2700 MHz Cellular Antenna Mushroom Shape for 4G LTE 3G Screw Mount

Radiation Patterns



NEW
TECHNOLOGY
PROJECT