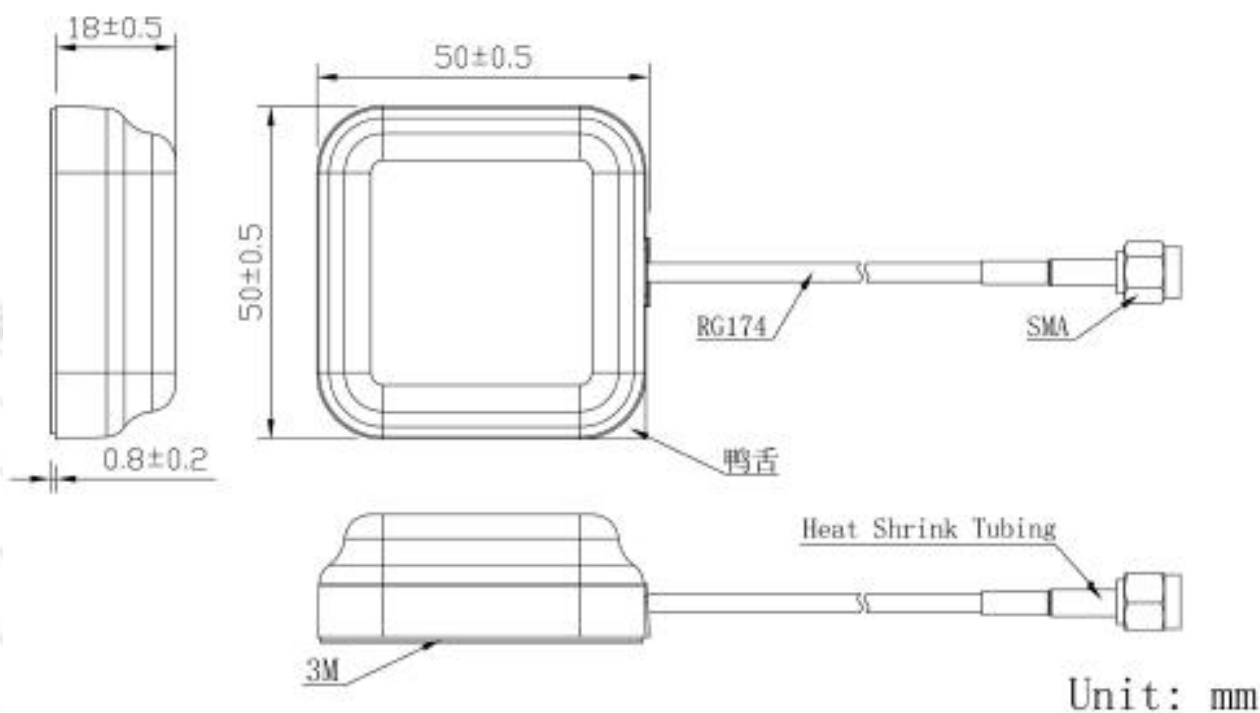


# GNSS antenna square for GPS/GLONASS/Beidou/Gaileo

AN\_GPS\_A236



## Mechanical Dimension



# GNSS antenna square for GPS/GLONASS/Beidou/Gaileo

## Specifications

Item	Specifications	
Antenna	Frequency Range	1561.098~1602MHz
	Polarization	RHCP
	Gain	5dBic@PCB (Zenith)
	V.S.W.R	<1.5
	Impedance	50Ω
	Axial Ratio	3dB (max)
	Dimension	33.5*33.5*6mm
LNA	Gain	28±2dB
	Noise Figure	≤1.5dB
	Filter Insertion Loss	<3dB
	Supply Voltage	3~5V DC
	Current Consumption	<20mA
	V.S.W.R	<2.0
Mechanical	Cable	RG174
	Connector	SMA
	Radome Material	ABS
	Mounting Method	Magnet/Adhesive
Environmental	Operating Temperature	-40℃~+85℃
	Relative Humidity	Up to 95%
	Ingress Protection	IP67
	Vibration	10 to 55Hz with 1.5mm amplitude 2hours
	Environmentally Friendly	ROHS Compliant

# GNSS antenna square for GPS/GLONASS/Beidou/Gaileo

## Radiation Patterns

