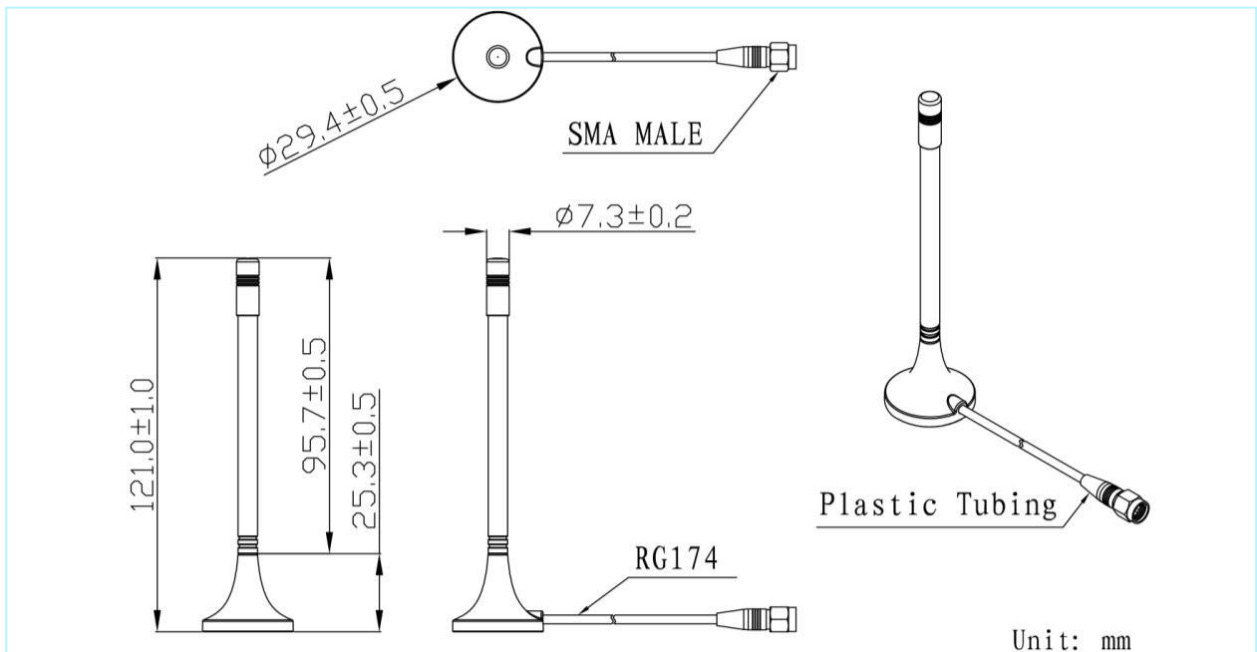


4G/3G/LTE antenna 900/1800/2100 MHz Circular Base mini

AN_GSM_016L



Mechanical dimension





4G/3G/LTE antenna 900/1800/2100 MHz Circular Base mini

Specifications

Item	Specifications	
Antenna	Frequency Range	698-2690MHz
	Polarization	Linear
	Gain	2.0dBi (Zenith)
	V.S.W.R	<2.0
	Impedance	50Ω
Mechanical	Cable	RG174
	Connector	SMA
	Mounting Method	Magnet
Environmental	Operating Temperature	-40°C~+85°C
	Vibration	10 to 55Hz with 1.5mm amplitude 2hours
	Environmentally Friendly	ROHS Compliant

4G/3G/LTE antenna 900/1800/2100 MHz Circular Base mini

Radiation Patterns

