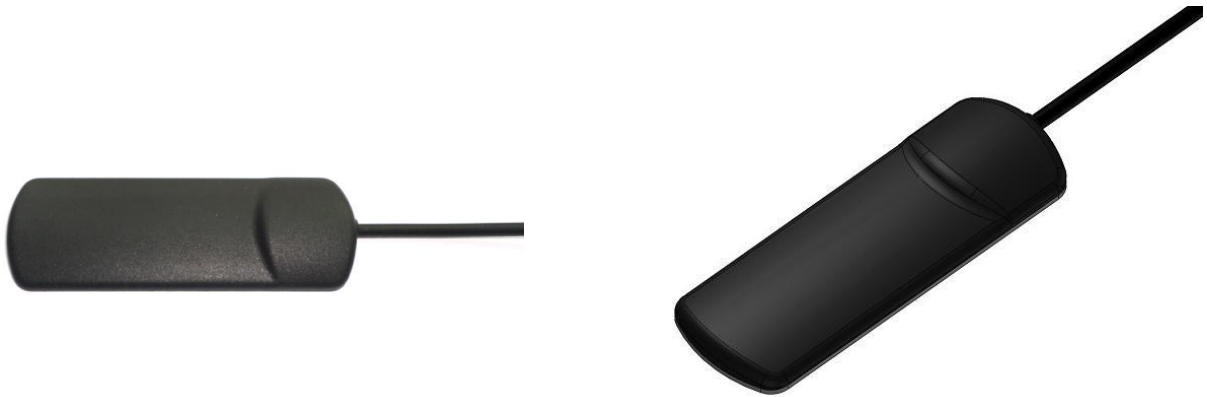
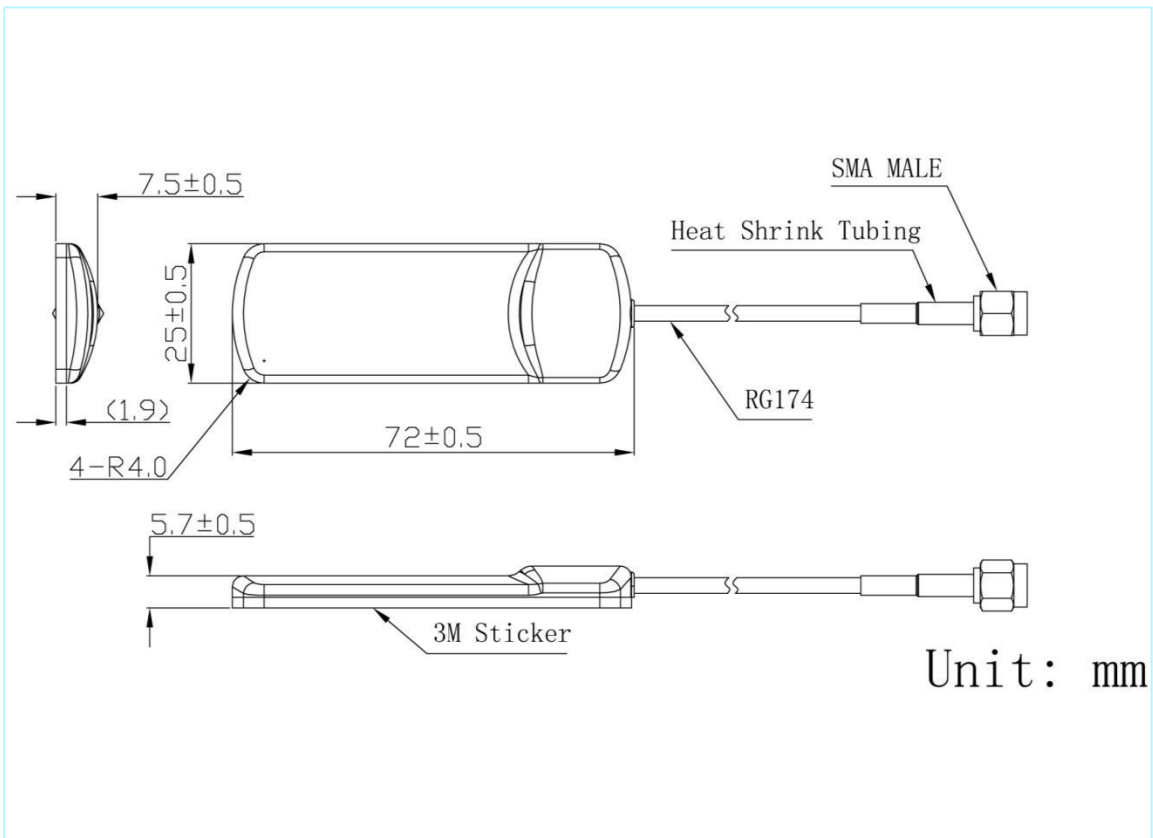


4G/3G/GSM Antenna 700/900/1800/2100/2400 MHz Short Patch

AN_GSM_107.2



Mechanical dimension



4G/3G/GSM Antenna 700/900/1800/2100/2400 MHz

Short Patch

Specifications

Item	Specifications	
Antenna	Frequency Range	698~2670MHz
	Polarization	Linear
	Gain	2dBi (Zenith)
	V.S.W.R	<2.0
	Impedance	50Ω
	PCB Dimension	62.2*22*0.8mm
Mechanical	Cable	RG174
	Connector	SMA
	Radome Material	ABS
	Mounting Method	Adhesive
Environmental	Operating Temperature	-40℃~+85℃
	Relative Humidity	Up to 95%
	Vibration	10 to 55Hz with 1.5mm amplitude 2hours
	Environmentally Friendly	ROHS Compliant

4G/3G/GSM Antenna 700/900/1800/2100/2400 MHz Short Patch

Radiation Patterns

