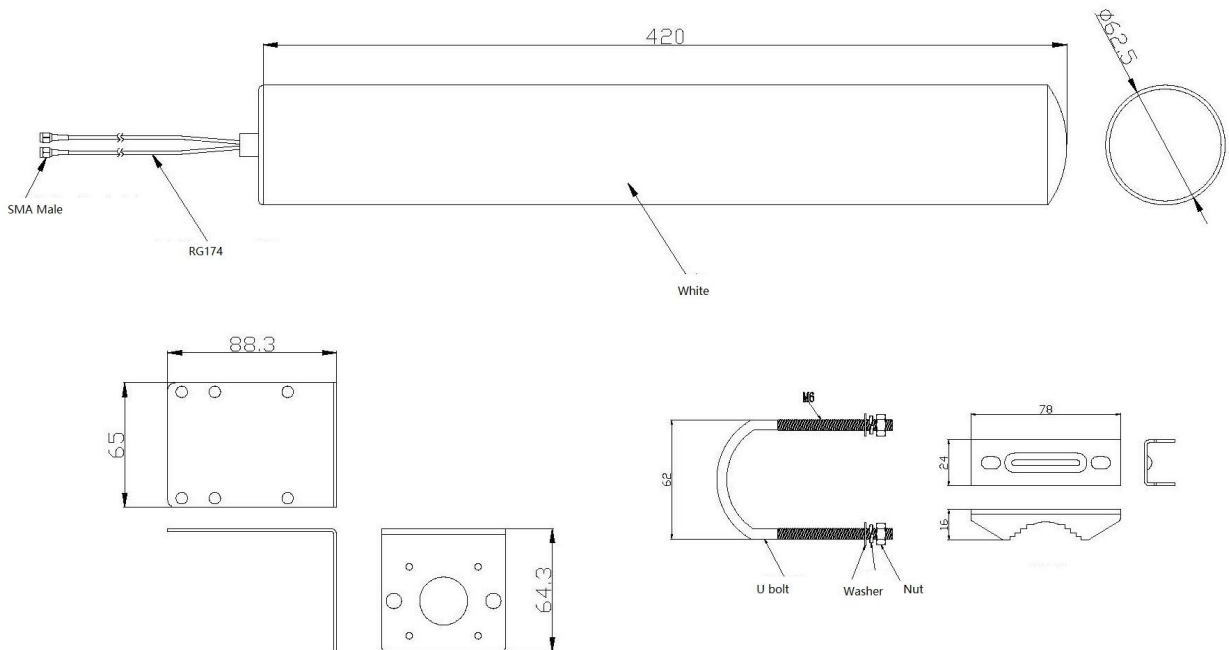


# 4G LTE MIMO High Gain Cylinder Antenna 700-6000MHz

**AN\_GSM\_202\_MIMO**



## Mechanical dimension



# 4G LTE MIMO High Gain Cylinder Antenna 700-6000MHz

## AN\_GSM\_202\_MIMO

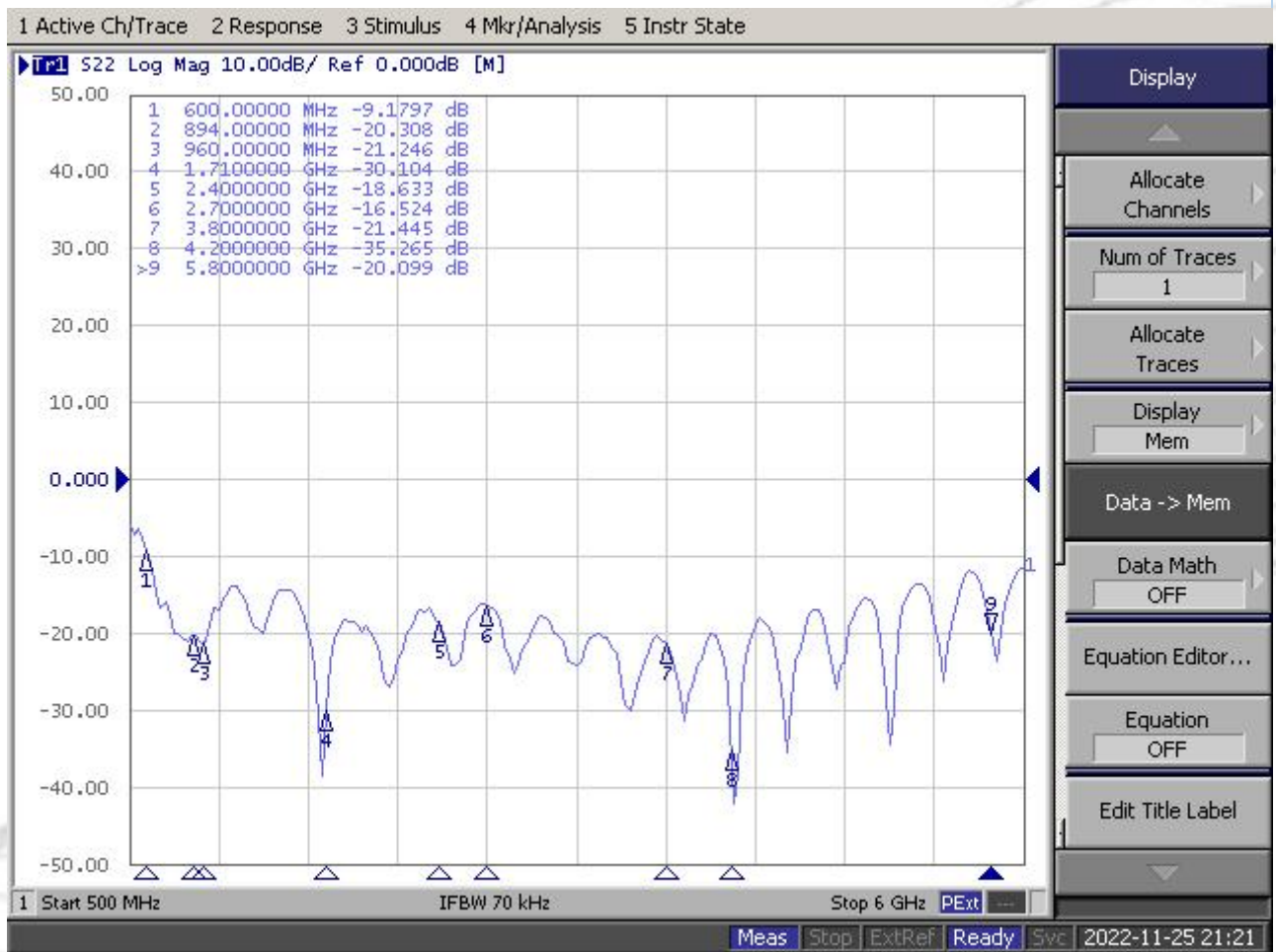
### Specifications

Item	Specifications	
4G LTE Antenna MAIN	Frequency Range	700-6000MHz
	V.S.W.R	<2.0
	Polarization	Linear
	Gain	4.5dBi (Zenith)
	Impedance	50Ω
4G LTE Antenna AUX	Frequency Range	700-6000MHz
	V.S.W.R	<2.0
	Polarization	Linear
	Gain	4.5dBi (Zenith)
	Impedance	50Ω
Mechanical	Cable	RG58 3.0 meters
	Connector	SMA
	Material	ABS
	Mounting Method	Screw
Environmental	Operating Temperature	-40°C~+85°C
	Relative Humidity	Up to 95%
	Ingress Protection	IP66(exclude cable outlet)
	Vibration	10 to 55Hz with 1.5mm amplitude 2hours
	Environmentally Friendly	ROHS Compliant

# 4G LTE MIMO High Gain Cylinder Antenna 700-6000MHz

## AN\_GSM\_202\_MIMO

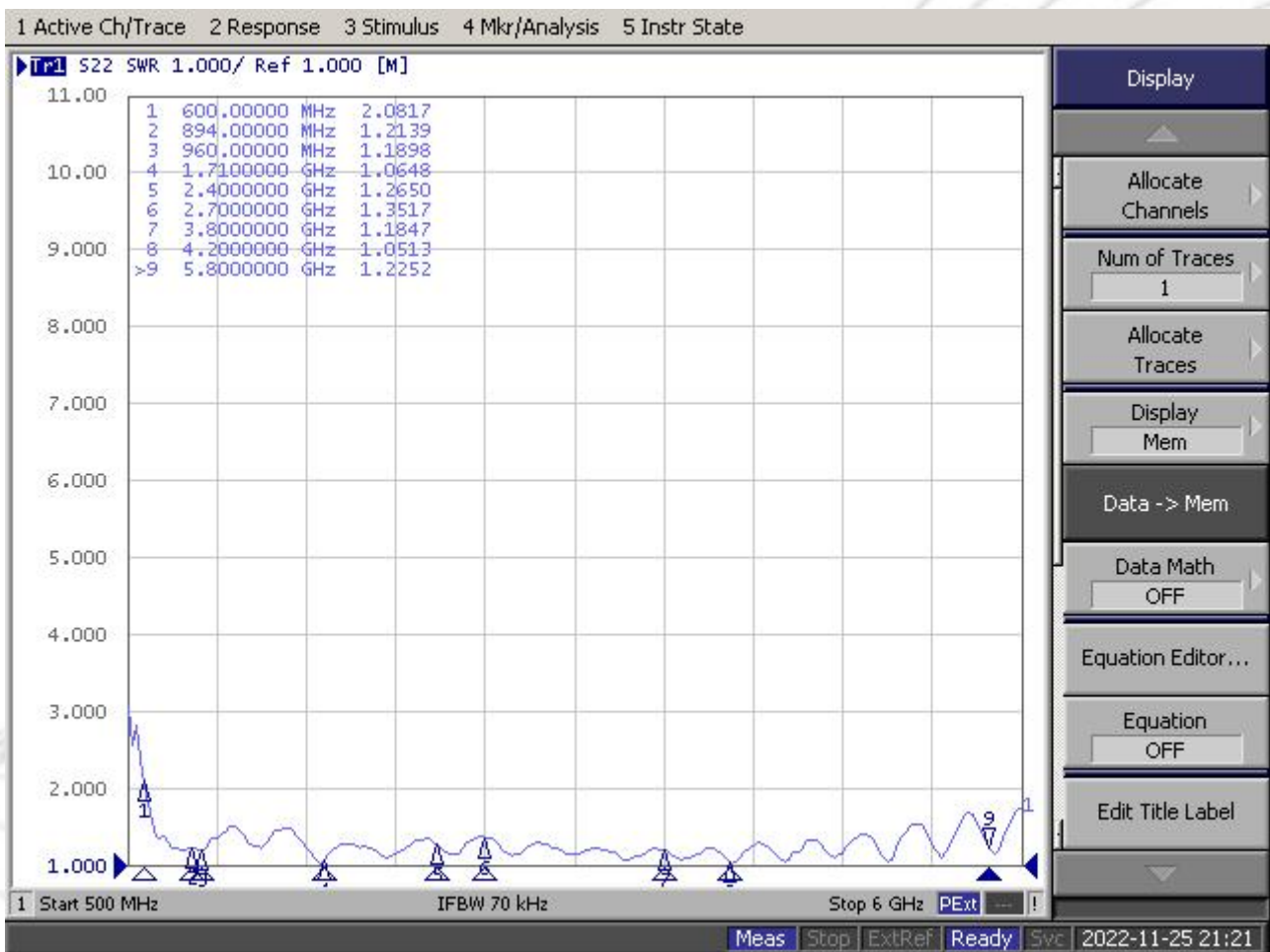
S11



# 4G LTE MIMO High Gain Cylinder Antenna 700-6000MHz

## AN\_GSM\_202\_MIMO

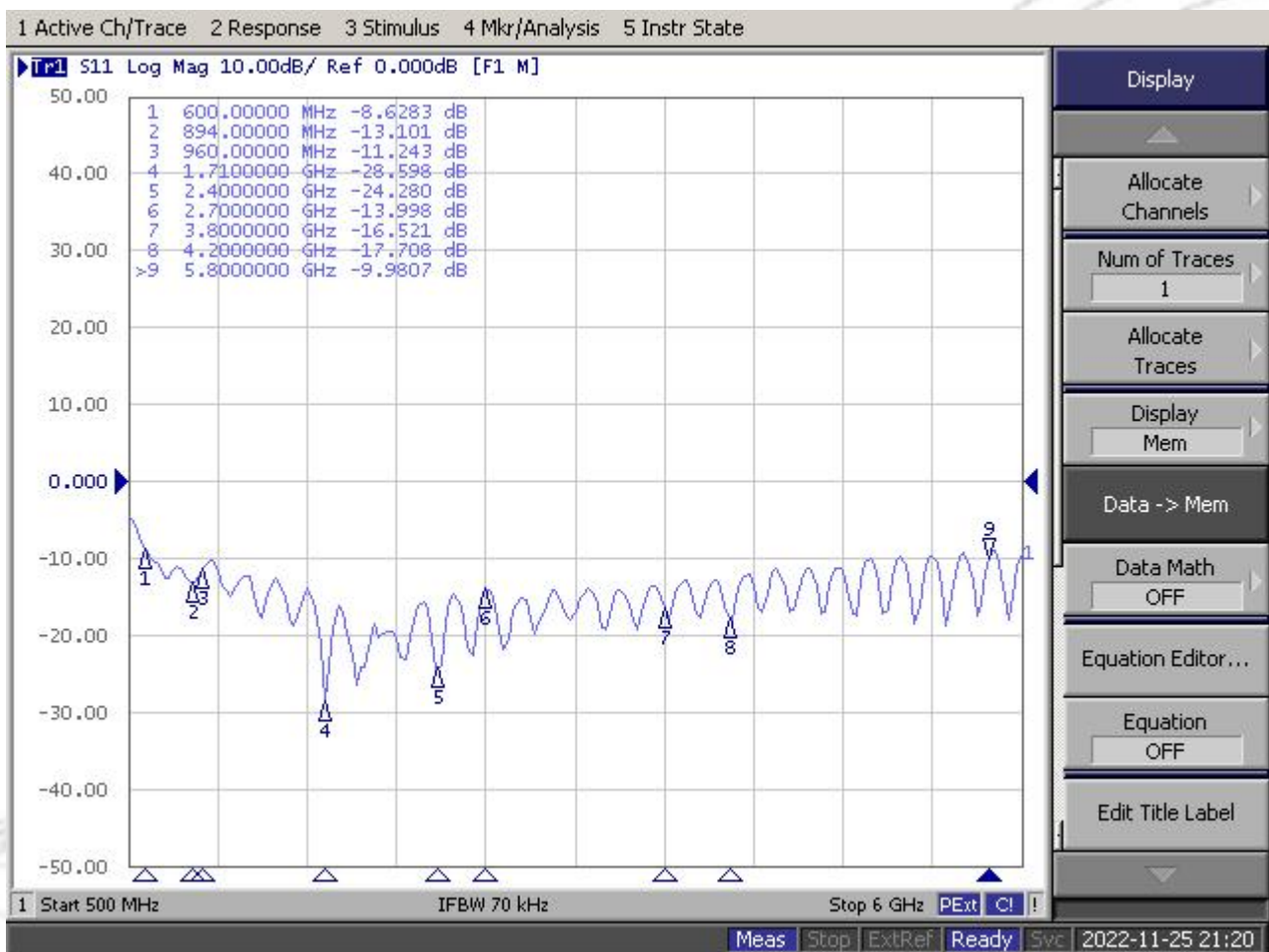
### VSWR Port1



# 4G LTE MIMO High Gain Cylinder Antenna 700-6000MHz

AN\_GSM\_202\_MIMO

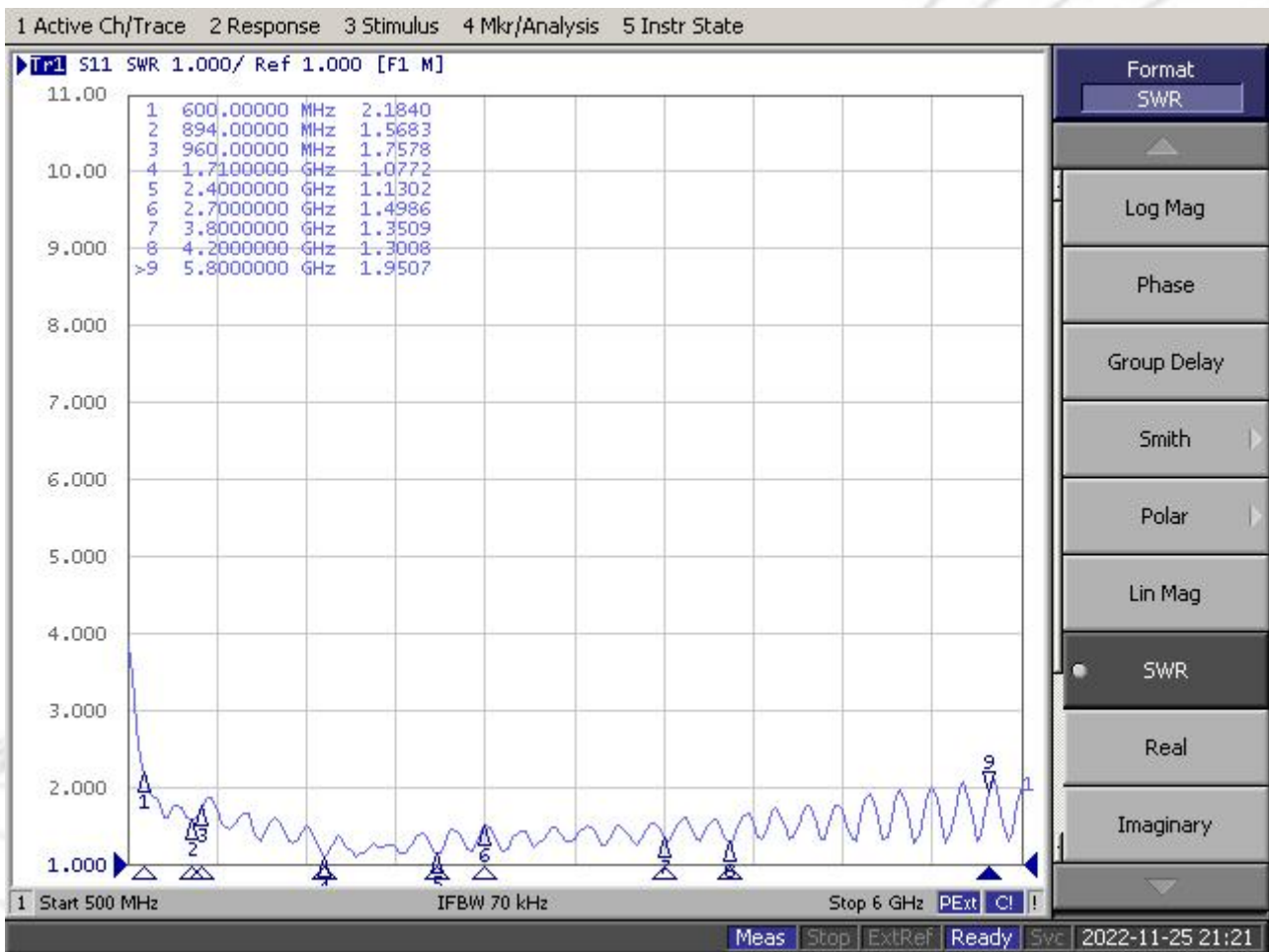
S22



# 4G LTE MIMO High Gain Cylinder Antenna 700-6000MHz

## AN\_GSM\_202\_MIMO

### VSWR Port2



# 4G LTE MIMO High Gain Cylinder Antenna 700-6000MHz

## AN\_GSM\_202\_MIMO

### Isolation

