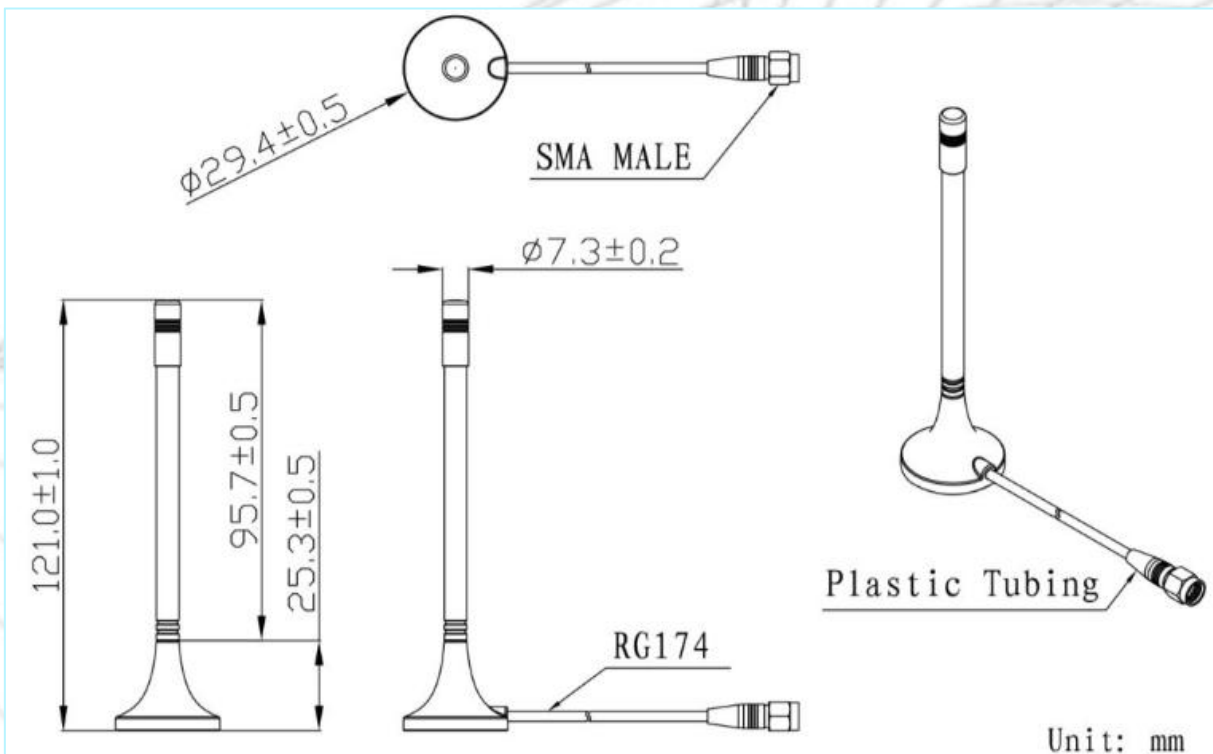


WIFI Antenna bottom magnetical

AN_W069



Mechanical dimension



WIFI Antenna

Specifications

| Item | Specifications | |
|---------------|--------------------------|--|
| Antenna | Frequency Range | 2400~2483.5MHz |
| | Polarization | Linear |
| | Gain (Zenith) | 2.0dBi |
| | V.S.W.R(min) | <2.0 |
| | Impedance | 50Ω |
| Mechanical | Cable | RG174 |
| | Connector | SMA |
| | Mounting Method | Magnet |
| Environmental | Operating Temperature | -40°C~+85°C |
| | Vibration | 10 to 55Hz with 1.5mm amplitude 2hours |
| | Environmentally Friendly | ROHS Compliant |

Radiation Patterns

