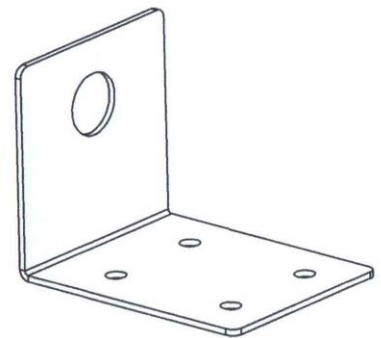
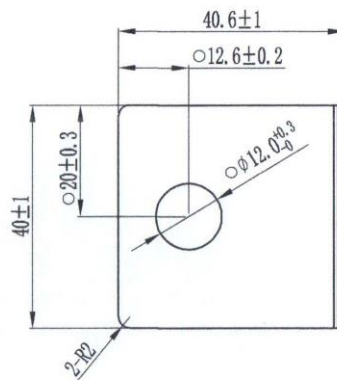
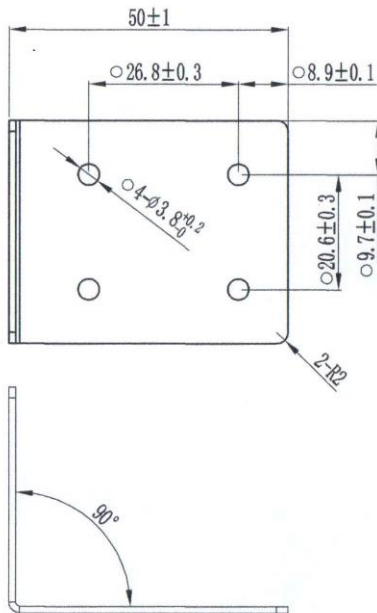


# Antenna Mount L shape M12 Tree Mount

## M12. Lplate



### Mechanical Dimension



## Antenna Mount L shape M12 Tree Mount

### Specifications

Item	Specifications	
L Plate Antenna Mount	Dimension	50mm*40mm*40mm
	Antenna Mounting Hole	M12 Suitable for M 12 M11.5 M11 Antenna bolt
	Plate Installation Hole	4*M3.8
	Material	Stainless Steel